



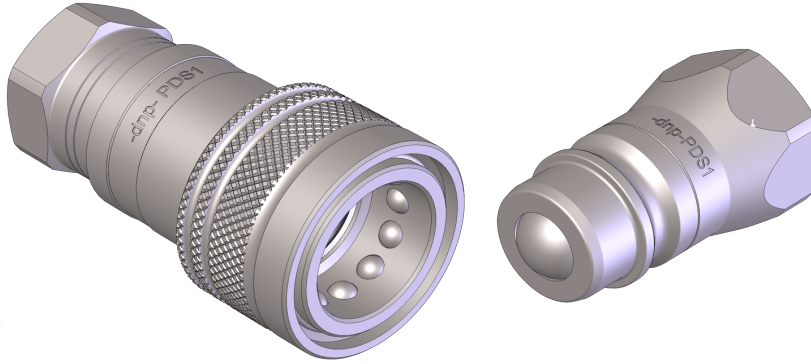
Quick Release Couplers



Ball Type COUPLER - NPT & BSP

TECHNICAL DATA

- Interchange:**
with the main producers
- Occlusion:** ball
- Locking:** radial balls
- Material:** steel
- Finishing:** Zn-Fe (Cr III)
- Threads:** NPT & BSP
- Standard seals:** NBR
- Working temperature:** -25 °C +100 °C
- Optional seals:** FKM, FFKM, EPDM or more
- Working pressure:** 200-300 bar
- Connection under pressure:** not allowed



FEMALE			MALE			Max Work Pres. (bar)	Rated Flow /min	Max Flow Rate /min	Fluid Spillage cc	Thread	Standard
Part No.	Burst Pres (bar)	Weight (g)	Part No.	Burst Pres (bar)	Weight (g)						
4050-02	1200	128	4010-02	1200	48	300	12	20	0.5	NPT 1/4	ANSI B1.20.3
4050-03	1000	208	4010-03	1000	87	250	23	35	1.4	NPT 3/8	ANSI B1.20.3
4050-04	950	275	4010-04	800	103	200	30	55	1.9	NPT 1/2	ANSI B1.20.3
4050-05	1100	500	4010-05	800	210	200	60	120	4.6	NPT 3/4	ANSI B1.20.3
4050-06	1100	775	4010-06	850	310	200	80	160	5.9	NPT 1	ANSI B1.20.3

FEMALE			MALE			Max Work Pres. (bar)	Rated Flow /min	Max Flow Rate /min	Fluid Spillage cc	Thread	Standard
Part No.	Burst Pres (bar)	Weight (g)	Part No.	Burst Pres (bar)	Weight (g)						
5050-02	1200	127	5010-02	1200	47	300	12	20	0.5	BSP 1/4	DIN 3852-2-X
5050-03	1000	207	5010-03	1000	86	250	23	35	1.4	BSP 3/8	DIN 3852-2-X
5050-04	950	275	5010-04	800	101	200	30	55	1.9	BSP 1/2	DIN 3852-2-X
5050-05	1100	494	5010-05	800	205	200	60	120	4.6	BSP 3/4	DIN 3852-2-X
5050-06	1100	768	5010-06	850	302	200	80	160	5.9	BSP 1	DIN 3852-2-X

DNP Series: PDS1
*Other sizes available on request



Section A Hose

Section B Hose Fittings

Section C Quick release Couplers

SCREW IN ENERPAC - NPT

BALL TYPE - NPT
BALL TYPE - BSP

FLAT FACE - NPT
FLAT FACE - BSP

PIN TYPE - NPT
PIN TYPE - BSP

Section D Adaptors

Section E Steel Tube & Fittings

Section F Brass Fittings

Section G Components

Section H Machinery